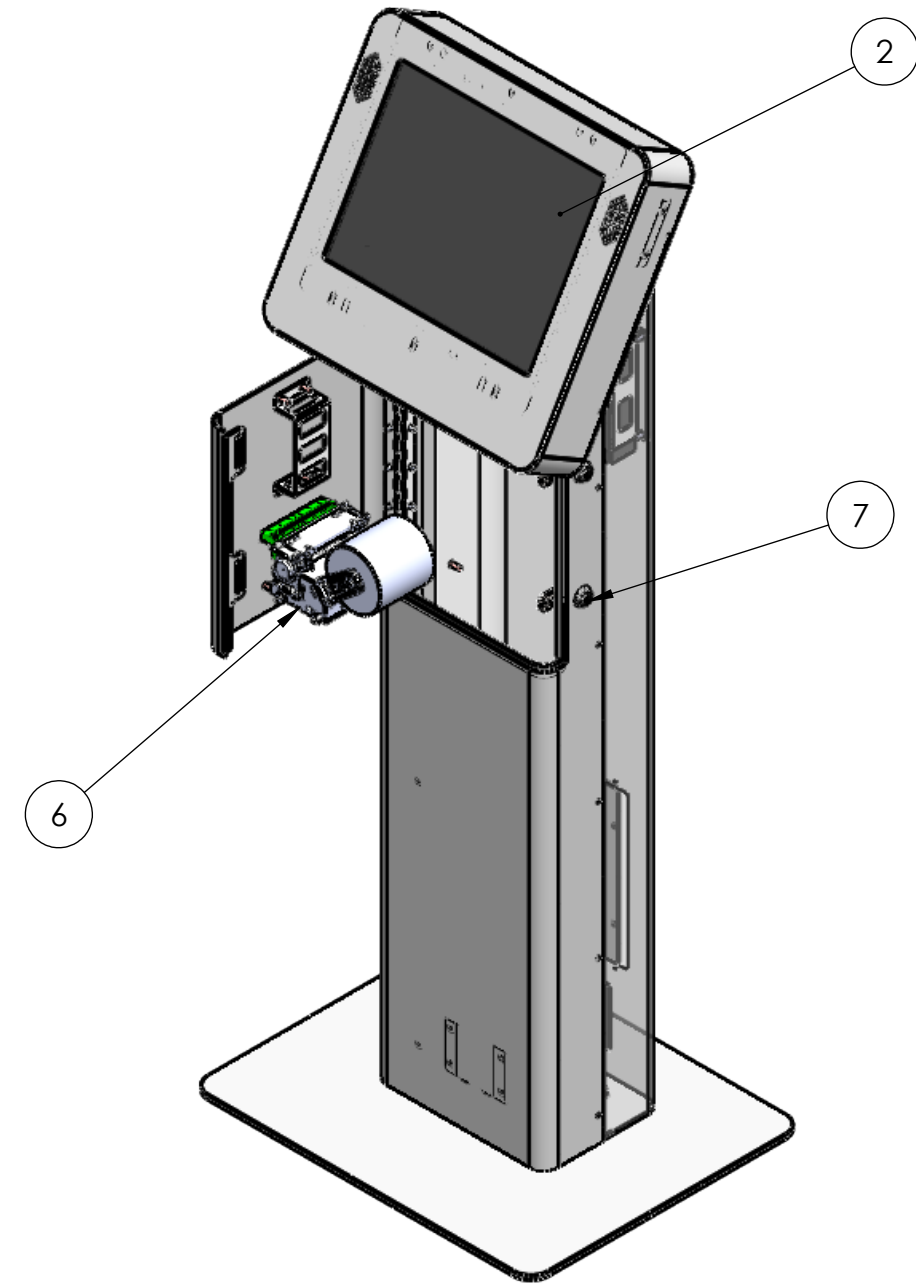
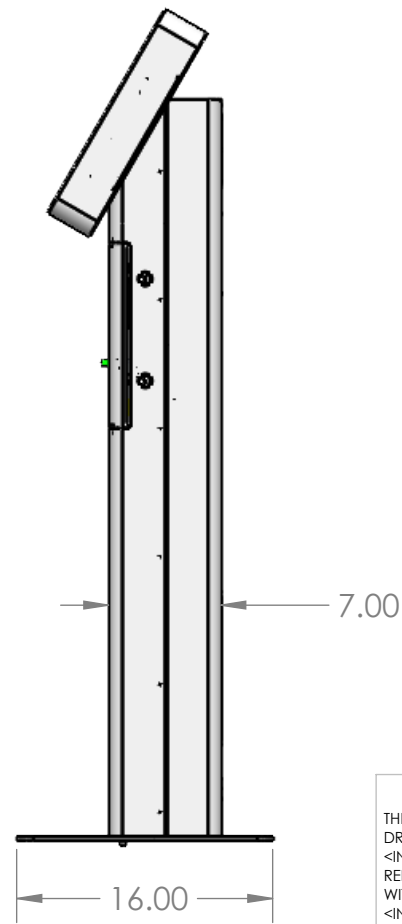
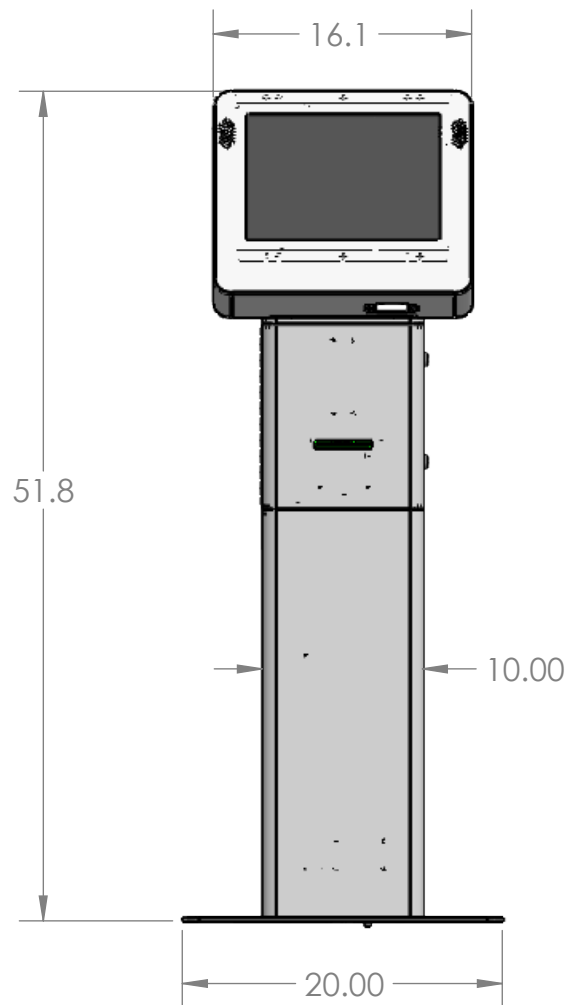


ITEM NO.	DESCRIPTION	CLOSED DOOR/QT Y.
1	SHEET METAL - TOP LEVEL	1
2	15" LCD MONITOR	1
3	MINI PC	1
4	SPEAKER	2
5	POWER STRIP	1
6	PRINTER	1
7	LOCK	2



15" LANDSCAPE

PROPRIETARY AND CONFIDENTIAL
 THE INFORMATION CONTAINED IN THIS DRAWING IS THE SOLE PROPERTY OF <INSERT COMPANY NAME HERE>. ANY REPRODUCTION IN PART OR AS A WHOLE WITHOUT THE WRITTEN PERMISSION OF <INSERT COMPANY NAME HERE> IS PROHIBITED.

		UNLESS OTHERWISE SPECIFIED:		NAME	DATE	SlabbKiosks	
		DIMENSIONS ARE IN INCHES TOLERANCES: FRACTIONAL ± ANGULAR: MACH ± BEND ± TWO PLACE DECIMAL ±.030 THREE PLACE DECIMAL ±.015		DRAWN	C.HOLSKE 12/23/2019		
		INTERPRET GEOMETRIC TOLERANCING PER:		CHECKED		FLOOR POP	
		MATERIAL		ENG APPR.		SIZE DWG. NO. REV	
		FINISH		MFG APPR.		B F1 A	
NEXT ASSY	USED ON			Q.A.		SCALE: 1:12 WEIGHT: SHEET 1 OF 1	
APPLICATION		DO NOT SCALE DRAWING		COMMENTS:			