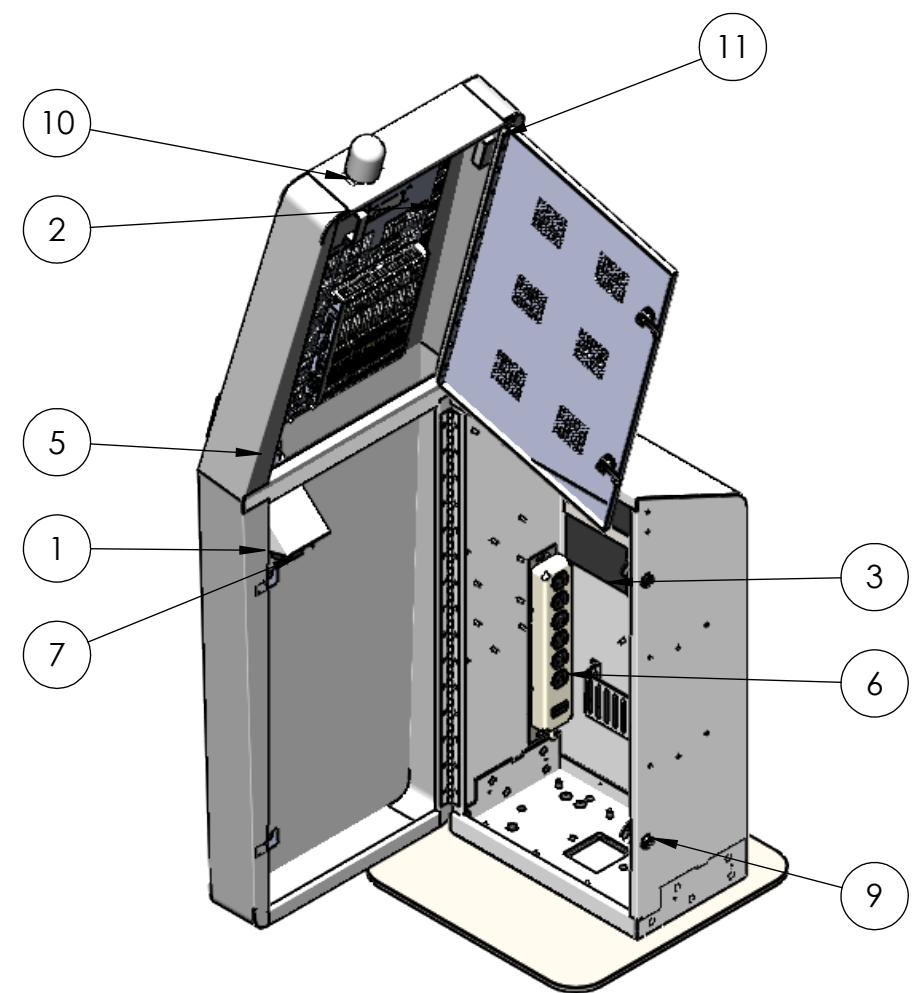
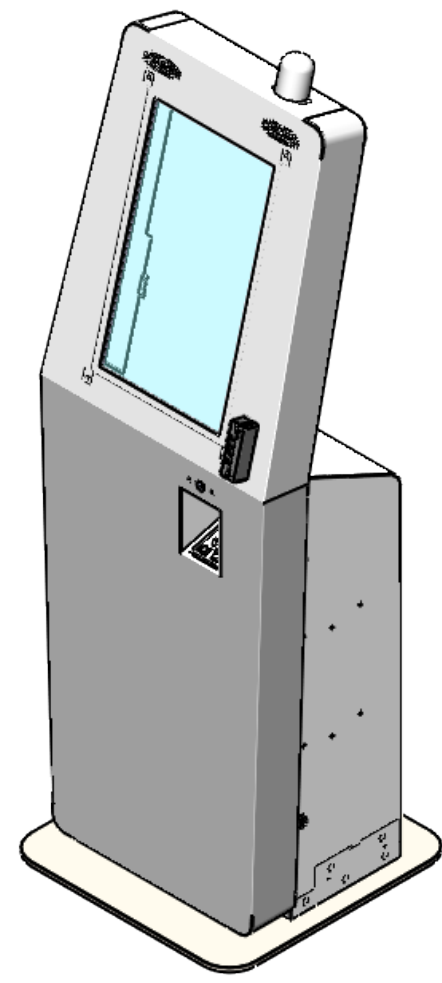
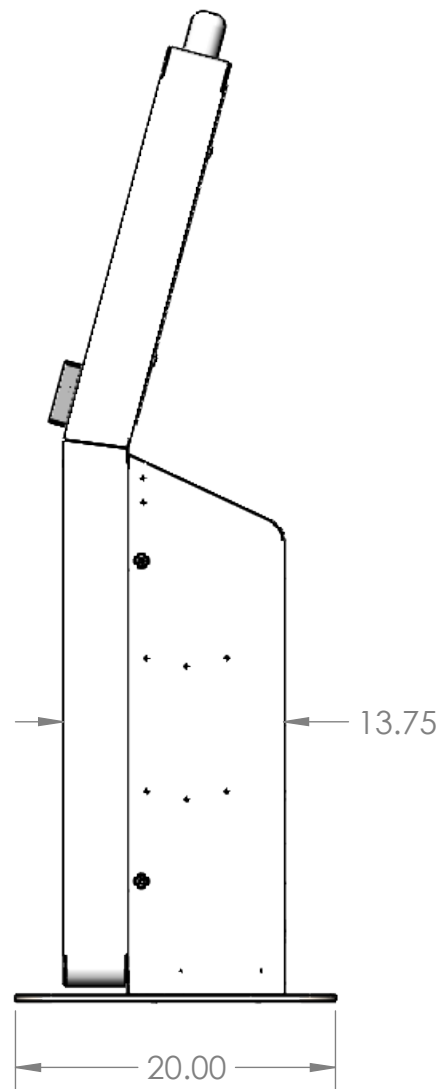
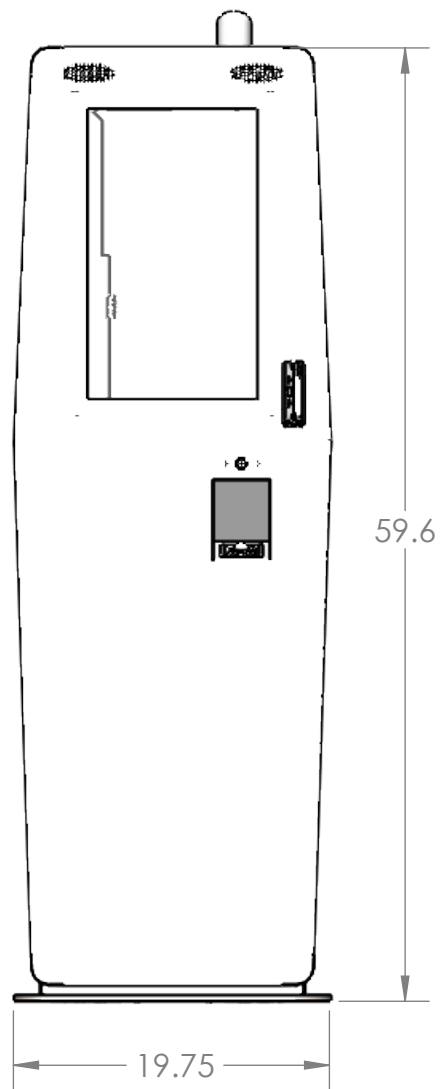


ITEM NO.	DESCRIPTION	QTY.
1	SHEET METAL CHASSIS/KIT	1
2	22" LCD DISPLAY	1
3	MINI PC	1
4	MAG SWIPE READER	1
5	AUDIO JACK	1
6	POWER STRIP	1
7	TRACKBALL	1
8	SPEAKER	2
9	LOCK	4
10	ANTENNA	1
11	MODEM	1



14 GA CRS CHASSIS WITH POWDERCOAT FINISH

**PROPRIETARY AND CONFIDENTIAL**  
 THE INFORMATION CONTAINED IN THIS DRAWING IS THE SOLE PROPERTY OF <INSERT COMPANY NAME HERE>. ANY REPRODUCTION IN PART OR AS A WHOLE WITHOUT THE WRITTEN PERMISSION OF <INSERT COMPANY NAME HERE> IS PROHIBITED.

		UNLESS OTHERWISE SPECIFIED:		NAME	DATE	SlabbKiosks	
		DIMENSIONS ARE IN INCHES TOLERANCES: FRACTIONAL ± ANGULAR: MACH ± BEND ± TWO PLACE DECIMAL ±.030 THREE PLACE DECIMAL ±.015		DRAWN	C.HOLSKE 12/4/2019		
		INTERPRET GEOMETRIC TOLERANCING PER:		CHECKED		F2 - TOP LEVEL ASSY	
		MATERIAL		ENG APPR.		SIZE DWG. NO. REV	
		SEE BOM		MFG APPR.		B F2 A	
NEXT ASSY		USED ON		Q.A.		SCALE: 1:16 WEIGHT: SHEET 1 OF 1	
APPLICATION		DO NOT SCALE DRAWING		COMMENTS:			

B

B

A

A

4

3

2

1