

4

3

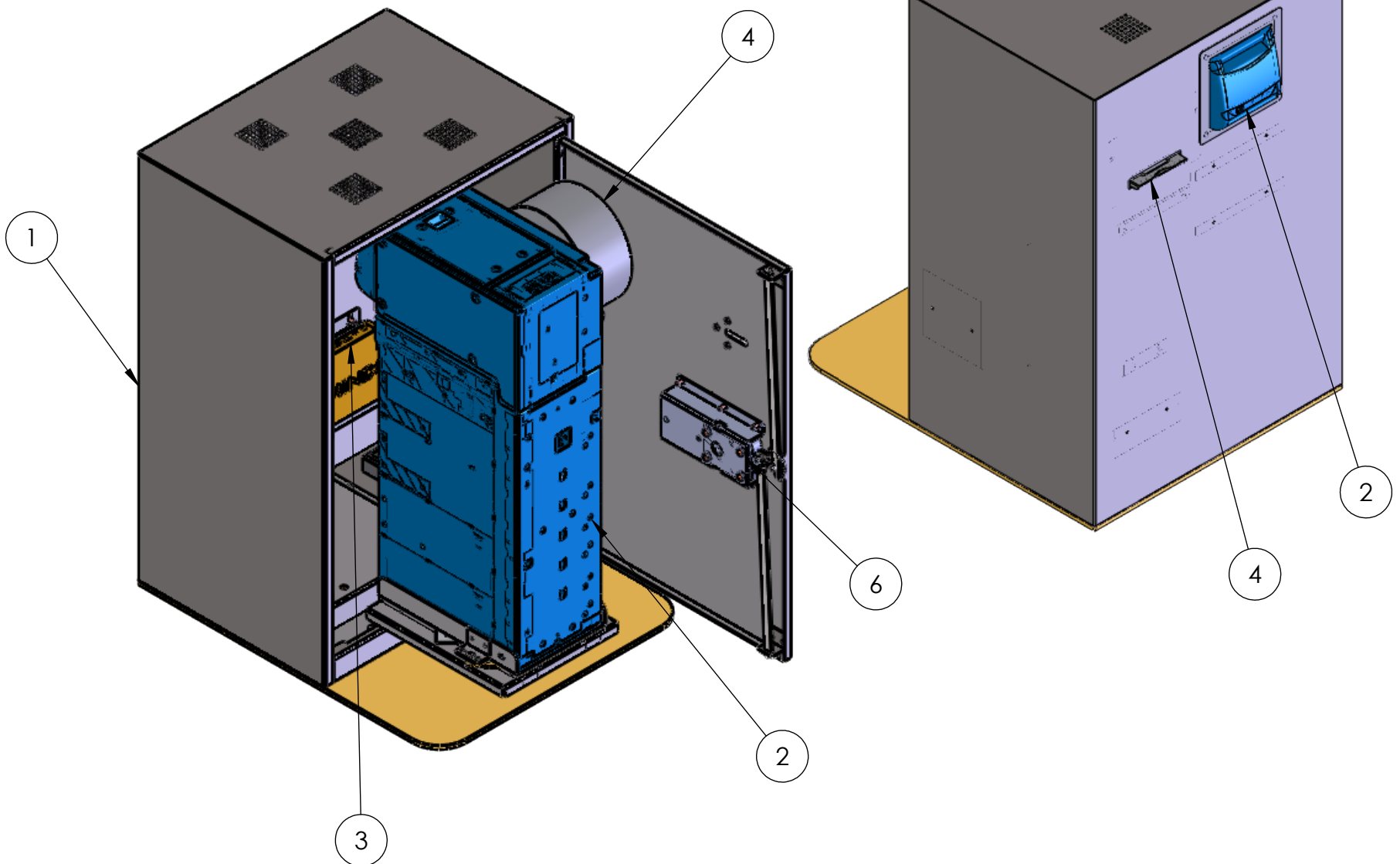
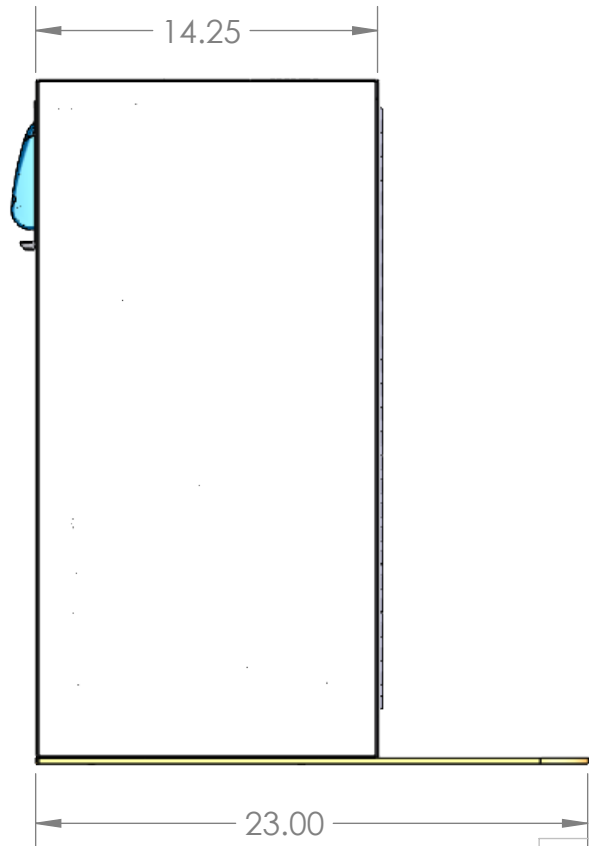
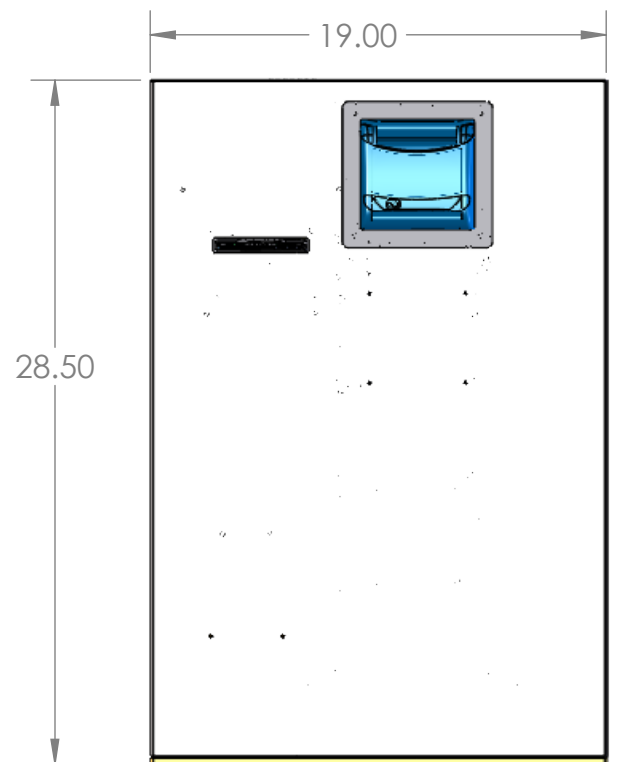
2

1

ITEM NO.	DESCRIPTION	BNR IN - CLOSED DOOR/BNR IN/QTY.
1	SHEET METAL ASSY	1
2	BILL RECYCLER	1
3	PC	1
4	PRINTER	1
5	POWER STRIP (4 OUTLET)	1
6	LOCK	1

B

B



A

A

PROPRIETARY AND CONFIDENTIAL
 THE INFORMATION CONTAINED IN THIS DRAWING IS THE SOLE PROPERTY OF <INSERT COMPANY NAME HERE>. ANY REPRODUCTION IN PART OR AS A WHOLE WITHOUT THE WRITTEN PERMISSION OF <INSERT COMPANY NAME HERE> IS PROHIBITED.

		UNLESS OTHERWISE SPECIFIED:		NAME	DATE	SlabbKiosks	
		DIMENSIONS ARE IN INCHES TOLERANCES: FRACTIONAL ± ANGULAR: MACH ± BEND ± TWO PLACE DECIMAL ±.030 THREE PLACE DECIMAL ±.015		DRAWN	C.HOLSKE		
		INTERPRET GEOMETRIC TOLERANCING PER:		CHECKED			TITLE:
		MATERIAL		ENG APPR.			VAULT - TOP LEVEL
		FINISH		MFG APPR.			SIZE DWG. NO. REV
NEXT ASSY	USED ON			Q.A.			B V1 A
APPLICATION		DO NOT SCALE DRAWING		COMMENTS:			
				SCALE: 1:12 WEIGHT: 76.916		SHEET 1 OF 1	

4

3

2

1